

1

2

3

4

A

A

B

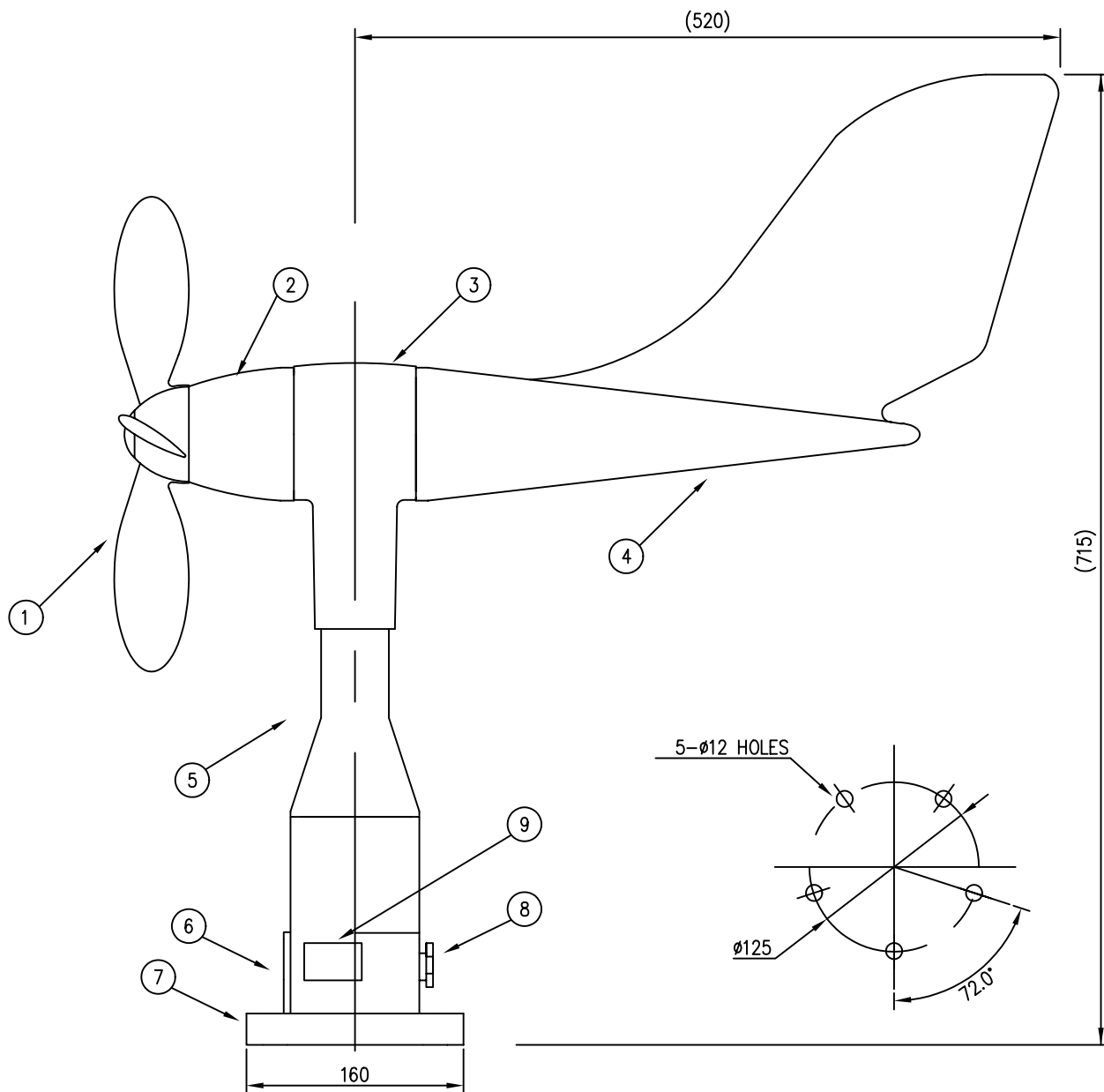
B

C

C

D

D



FITTING DIMENSION

5	STAND	AL	1						
4	TAILFIN	FRP	1		9	NAME PLATE	SUS	1	
3	ROTATING BODY	AL	1		8	CABLE GLAND	BS	1 25C	
2	GENERATOR	BS	1		7	DIRECTION PLATE		1 BOW	
1	PROPELLER	PC	1		6	TERMINAL COVER	AL	1	
No.	NAME OF PARTS	MATERIAL	Q'ty	REMARKS	No.	NAME OF PARTS	MATERIAL	Q'ty	REMARKS

WEIGHT : 7.8kg

SHT. NO.

This drawing is the property of CMR KOREA Co.,Ltd. and must not be wholly or partly copied, reproduced, utilized or published without written consent.  
This is a CADAM drawing and should not be corrected by hand.

GENERAL TOLERANCE FOR BOX OUTLINE		GENERAL TOLERANCE FOR SENSOR & FITTING HOLE		△				NOTE			
NOMINAL MEASURE	TOLERANCES	NOMINAL MEASURE	TOLERANCES	REV.	LOC	DATE					
OVER	MAX.	OVER	MAX.								
1	100	± 1.0	1	4	± 0.3	APP.	20040101	S. D. KIM	TITLE	REV.	0
100	200	± 2.0	4	16	± 0.5	CHK.			TRANSMITTER	UNIT	mm
200	500	± 3.0	16	63	± 1.0	DWG.	20040101	J. H. LEE	(AT200)	SCALE	N / S
500	1000	± 5.0	63	250	± 2.0	SIZE				DRAWING NO.	
1000	2000	± 7.0	250	1000	± 2.5	A4	<b>CMR KOREA CO., LTD.</b>			ANMTR-01-003	